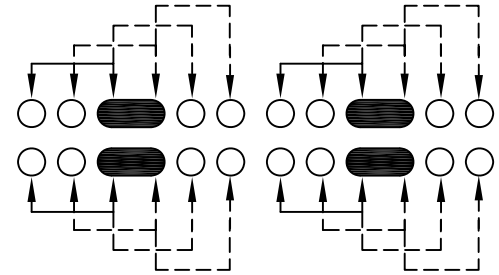
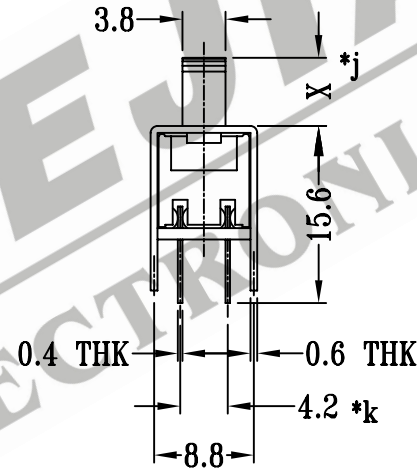
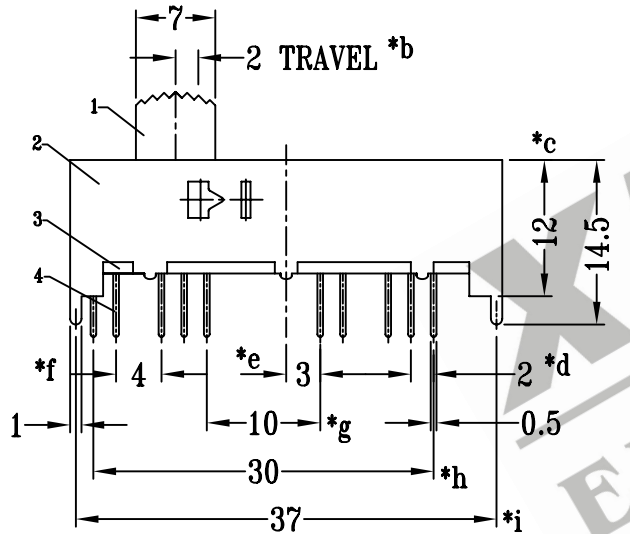
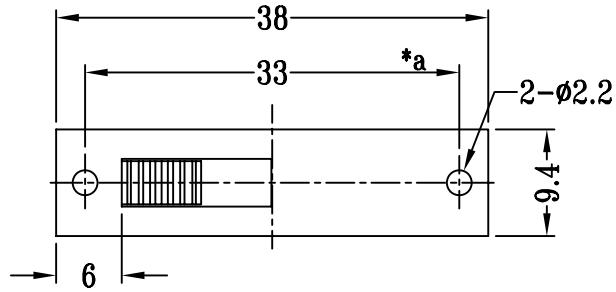
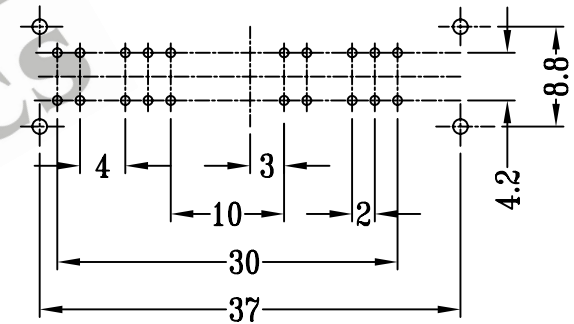


CAD FILE:



SCHMATIC (SHORTING)



P.C.B LAYOUT

注:带"*"表示关键尺寸(11个)

8					TOLERANCE UNLESS SPECIFIED	SHENZHEN XIEJIA ELECTRONICS CO.,LTD.				
7	CONTACT CLIP	PBS STRIP	4	Ag PLATED	WITHIN : 1.5±0.1mm OVER : 1.5±0.2mm	ISSUE	DATE	DESCRIPTIONS OF REVISION		APPD
6	SPRING	STEEL WIRE	1	TEMPER						
5	STEEL BALL	STEEL	2	NATURAL						
4	TERMINAL	BRASS STRIP	20	Ag PLATED OVER Ni PLATED	TITLE: VERTICAL SLIDE SWITCH	UNIT : mm	DRWG NO.: XJ-DR-SS44D01-00			
3	BASE	PHENOLIC RESIN	1	NATURAL	MODEL: SS-44D01	SCALE: 3:2	DWN	ZHOUYU	2002-6-17	
2	FRAME	STEEL STRIP	1	Ni PLATED			CHK'D	FANGYING	2002-6-17	
1	KNOB	POM	1	BLACK	ALL MATERIALS MUST BE COMPLIANT TO ROHS	APPD	KANGXINAN	2002-6-17		
NO.	PARTS	MATERIALS	QTY	FINISH						